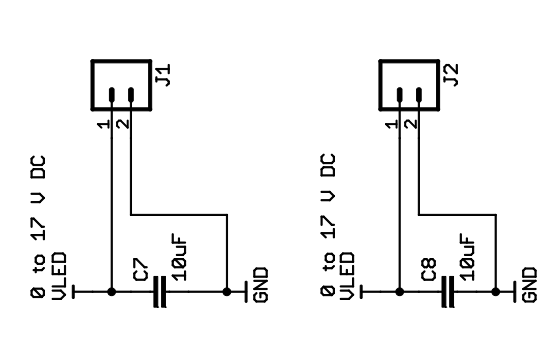
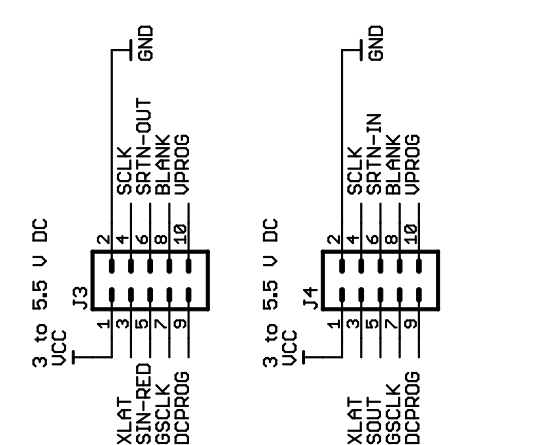


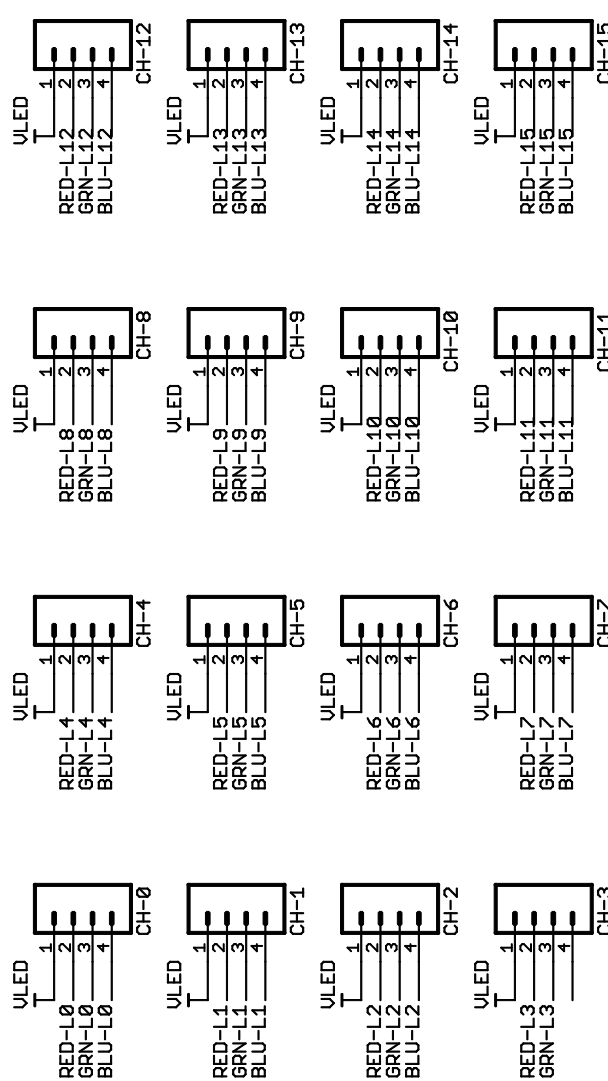
In & Thru LED Power



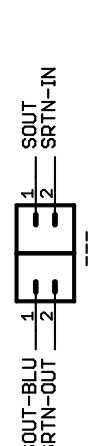
Control Signals & Logic Power



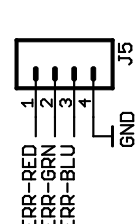
LED Terminals



Serial Data Path Jumpers



Error Signals



1. R1, R2, R3 values vary by the application, consult the TLC5940 datasheet
2. C2, C4, C6, C8 are optional
3. VLED varies by the application (0 to 17V DC), consult the TLC5940 datasheet
4. VCC varies by the application (3 to 5.5V DC), consult the TLC5940 datasheet
5. Jumper selection of passing SOUT-BLU to next board or to return to controller
6. If the board is in a middle of a daisy chain, jumper SOUT-BLU to SOUT and SRTN-OUT to SRTN-IN
7. If the board is at the end of a daisy chain, jumper SOUT-BLU to SRTN-OUT